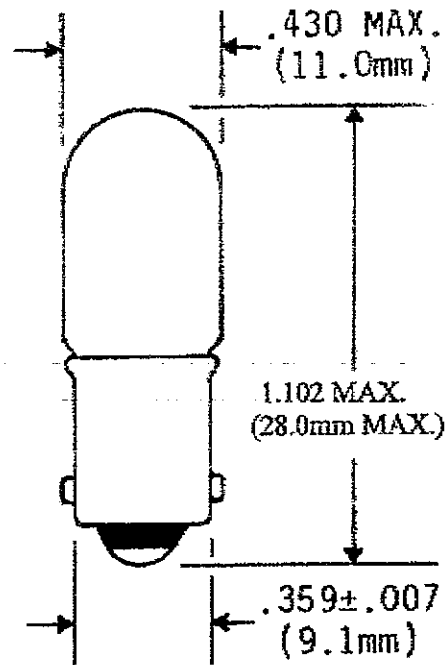


DO NOT SCALE DRAWING

DIMENSIONS IN INCH (MILLIMETER)

DRAWING DATE: 04/08/93



NOTES:

1. FILAMENT SHAPE MUST BE UNIFORM WITH COILS EVENLY SPACED & FREE OF TWIST.
2. LAMP SHALL BE CLEAN WITH NO FOREIGN MATERIALS OR GLASS CHIPS INSIDE.
3. PRODUCT ORIGIN: JAPAN

LAMP , T-3 1/4 BAYONET BASE

DESIGN VOLTS	DESIGN CURRENT ±/-10%	AVG. LIFE HOURS	MSCP ±/-25%	FILAMENT SHAPE	IDEC PART NUMBER
120.0	0.015	2,000	0.13		L-120-L